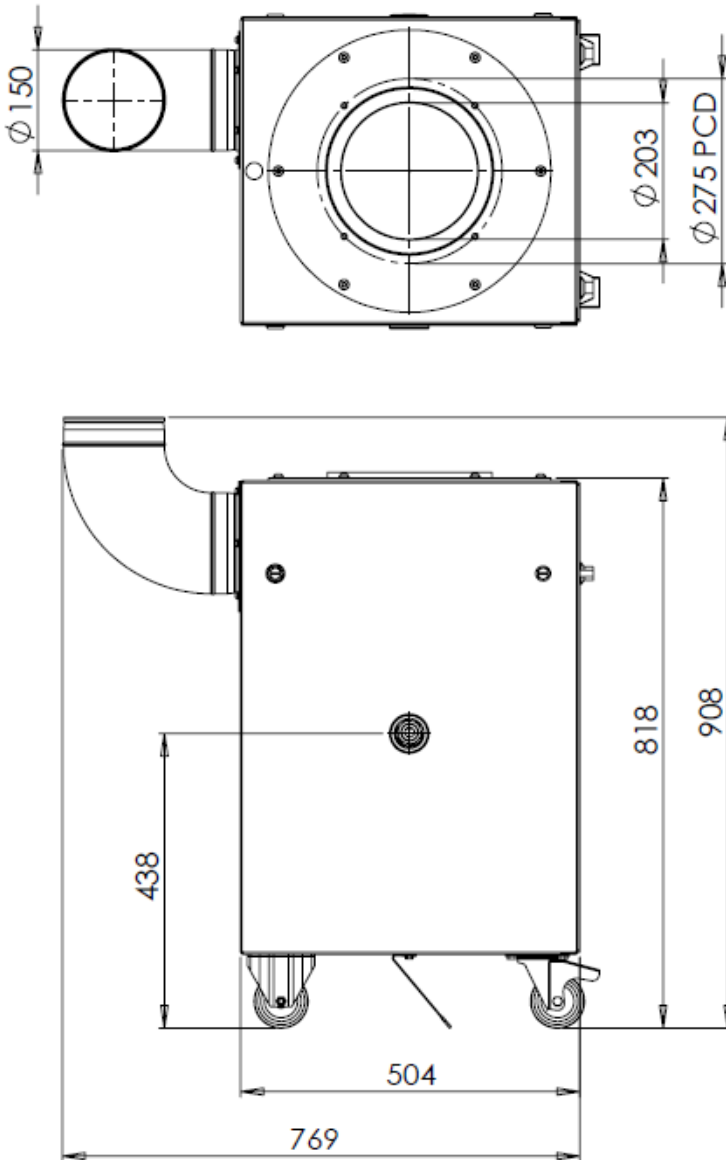


FILTERMIST CSX



MPS1200G

AIRFLOW (M ³ /HR)	USED IN CONJUNCTION WITH	50Hz	60Hz
		FX5002	955
	FX6002	1120	1368
	FX7002	1540	-
WEIGHT (KG)	58.5		
CONSTRUCTION	MILD STEEL POWDER COATED GREY RAL7035		

March 2014